



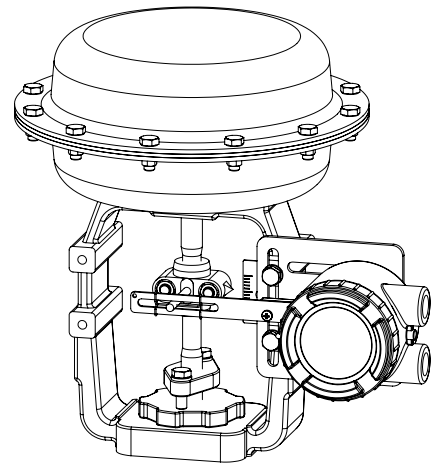
Explosion proof position transmitter for reliable valve position feedback with 4-20mA output signal

Features

- ▶ Rugged aluminum die-cast housing
- ▶ Optional 2 x SPDT limit switch or 2 x P&F proximity sensor NJ2-V3-N

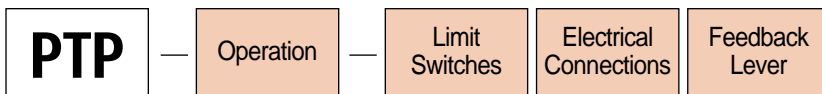
Specifications

Model	PTP-L	PTP-R
Current Output Signal	4 - 20 mA, 2-wire	
Power Supply Range	12 - 30 VDC (24VDC recommendable)	
Span Adjustable Angle	10° - 45°	0° - 90°
Linearity	Within ± 1.0% F.S.	
Repeatability	Within ± 0.25% F.S.	
Hysteresis	Within 1.0% F.S.	
Operating Ambient Temperature	-20°C - +70°C	
Explosion Proof Class	Exd IIC T6 (KOSHA Cert. No. 2008-1053-Q1)	
Protection Class	IP66	
Electrical Connections	G 1/2 or NPT 1/2	
Weight	0.9 kg	

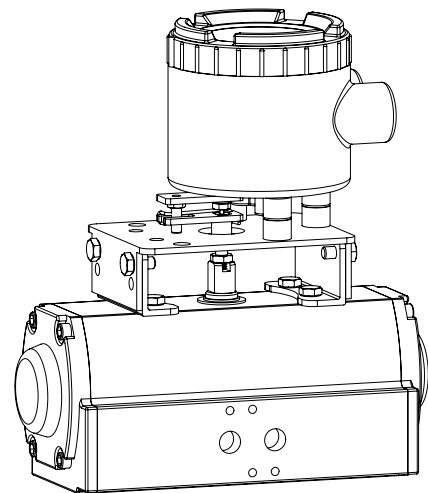


PTP-L Mounting to Globe Control Valve

How to Order



Description	Code
Operation :	L : Linear type R : Rotary type
Limit Switches:	N : None S : 2 x SPDT mechanical limit switch P : 2 x P&F proximity sensor NJ2-V3-N
Electrical Connections:	1 : G 1/2 2 : NPT 1/2
Feedback Lever: (only for linear type)	A : Stroke 10 - 40mm B : Stroke 10 - 80mm C : Stroke 80 - 150mm

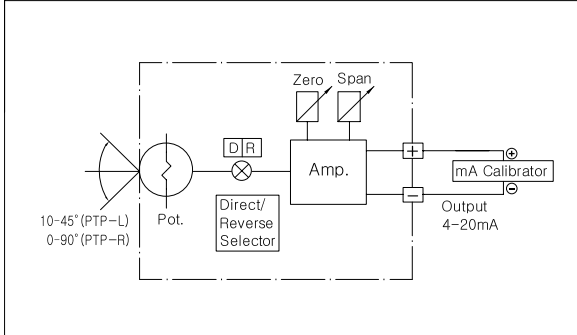


PTP-R Mounting to Pneumatic Rotary Actuator

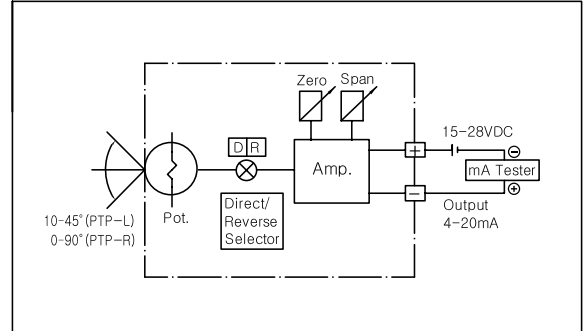
Ex) PTP-L-S1A (linear type, 2 x SPDT, G 1/2, 10-40mm stroke)

Measuring 4-20mA Output Signal

1) with mA calibrator

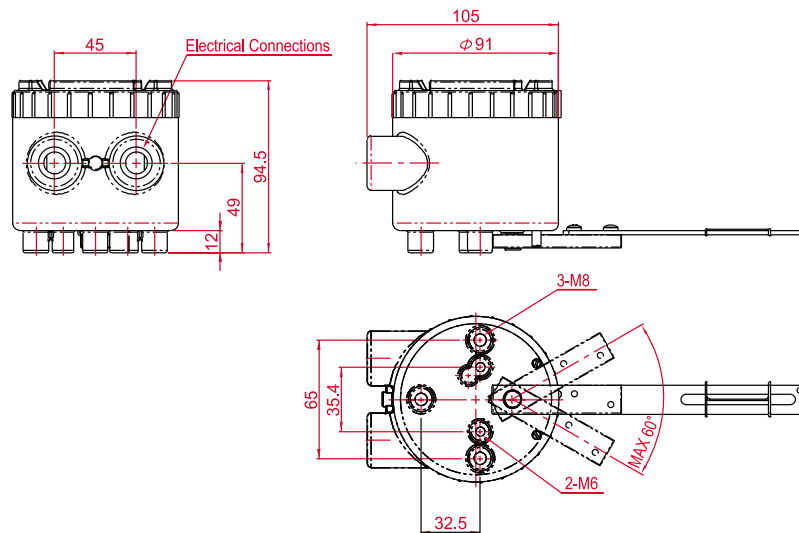


2) with multimeter



Dimensions

PTP-L (linear type)



PTP-R (rotary type)

