



High-grade Mass Flow Meter MODEL 3100 SERIES

The Model 3100 Series Mass Flow Meter is a new, advanced high-precision flowmeter developed based on the Model 3200 Series. The incorporated innovative capillary type flow sensor reduces pressure loss and ensures high response as well as ensuring stability.

Features

- Equipped with a temperature follow-up type current difference detection flow sensor to ensure high accuracy and quick response
- Compatible with various types of gases thanks to the incorporated CF switching feature.
- Measurements of minute flows available up to 1 SCCM full scale (SR option)

Standard Specifications

Flow range (at N ₂ calibration conditions)	10SCCM-20SLM/3100 30SLM-100SLM/3105
Response	1 sec. or less to within ±2% of full scale of final value typical for 0-100% response
Accuracy	Within ±1.0% F.S./3100 Within ±1.5% F.S./3105
Linearity	Within ±0.5% F.S.
Repeatability	Within ±0.2% F.S.
Proof pressure	980kPa
Leak rate	1x10 ⁻³ Pa·m ³ /s or less (excluding transmission of He)
Working temperature range	0-50°C (Accuracy guarantee: 15-35°)
Materials of parts exposed to gases	Body: SUS 316L, SUS 316, PTFE Seals: Viton® (Optional: Neoprene®)
Joint	Standard: 1/4SWL® (3/8SWL) Optional: 1/8SWL®, 1/4VCR®, Rc 1/4
Electrical connections*	Dsub 9-pin male connector per KFC standard (SEMI standard)
Flow rate output signals*	0-5VDC
Required power supply*	+15VDC (±5%) 100mA, -15VDC (±5%) 100mA

* Values indicated in () are for Model 3105.

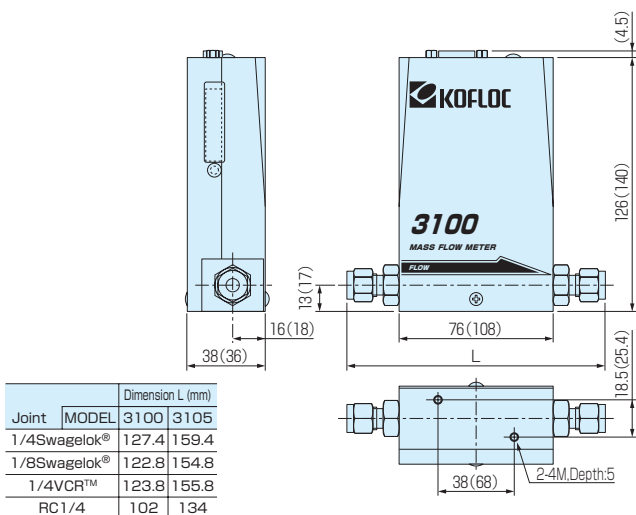
Harness Layout

Pin Assignment of Dsub 9-pin Connector per KFC Standard

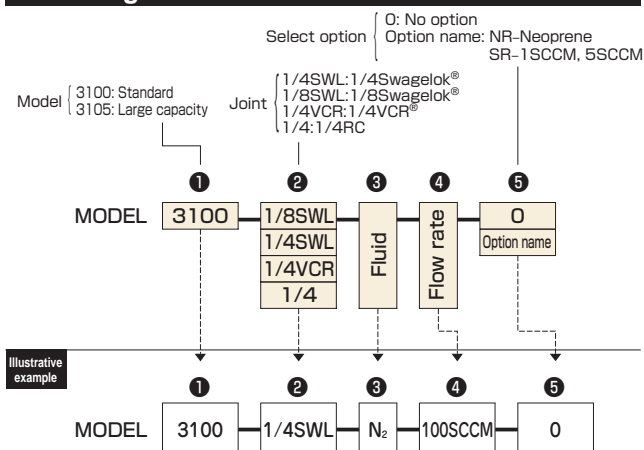
Pin No.	Signal	Pin No.	Signal
1	NC	6	NC
2	Flow output 0-5 V	7	Flow output COM
3	+15 VDC Power source	8	NC
4	Power source COM	9	NC
5	-15 VDC Power source		



Dimensions



Ordering



* Refer to "Ordering" and "Illustrative Example" when placing an order or requesting a quotation. Fill in the blanks in the "Order/Quotation Request Card" at the end of the catalog, and send the card by fax.