



# Flowmeter with Precision Needle Valve (for Accurate Flow Control)

## MODEL RK1200 SERIES

This is a grade high precision float type flowmeter combined with a needle valve capable of very accurate flow control. It is ideal for measurement and control of minute flows.

### Features

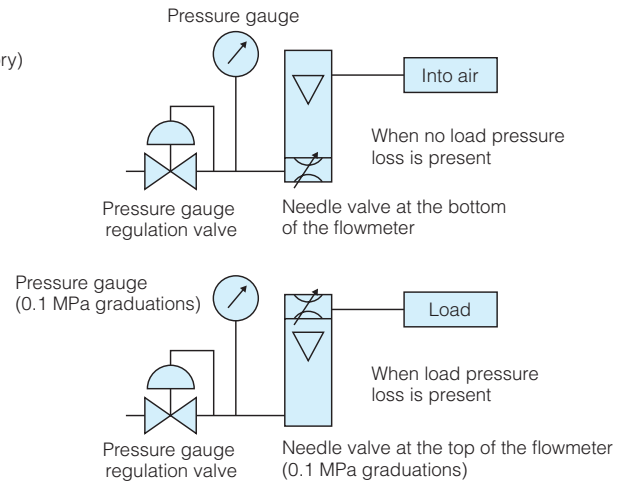
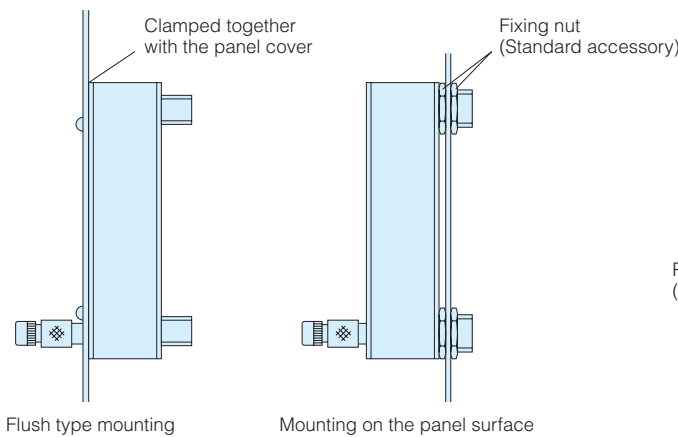
- Capable of controlling ultra-minute flows
- A needle valve incorporated to maximize precision control of flows
- Two types of valve arrangement available: at the top or bottom of the meter at the user's choice
- Wide variations

### Applications

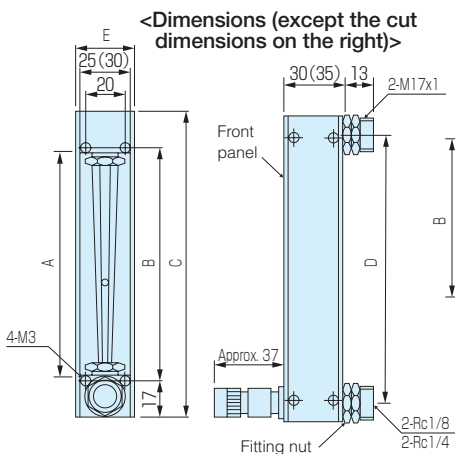
- For integration into your equipment panel
- For gas devices to be used on the semiconductor manufacturing site
- For biotechnology industries
- For vacuum line control



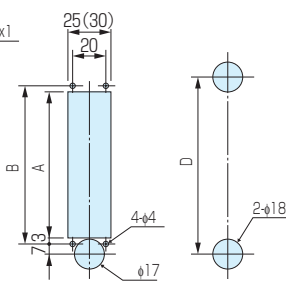
### Layout Example with Model RK1200



### Dimensions



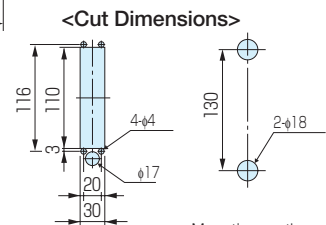
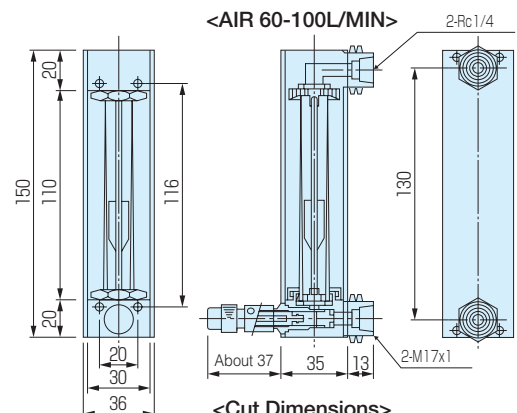
#### <Cut Dimensions>



#### Dimensions of parts per length designation code

Part	Code	12	15	20	25	H2O 2L
A	80	110	160	210	160	
B	86	116	166	216	166	
C	120	150	200	250	200	
D	100	130	180	230	180	
E	29	29	31	31	36	
		(36)	(36)	(36)	(36)	

\* This dimensional drawing shows the bottom needle valve type. For the top needle valve type, invert dimensions.  
 \* Dimensions indicated in ( ) apply to measurement of flows of 50 L/MIN.



Flush type mounting (Clamped together with the panel front cover)  
 Mounting on the panel surface (Mount using accessory nuts)

