



Multiple Rotation Type Large Capacity Simplified Needle Valve

MODEL 2400D SERIES

Of all our products with a very small flow controlling function, this is a comparatively large flow control valve. This is a low-cost needle valve with a simple structure.

Features

- Precision machining ensures satisfactory control characteristics.
- In comparison with commercial simplified types, the number of revolutions of this needle valve is a maximum of 12 revolutions, permitting very smooth flow control.

Standard Specifications

| | |
|---|---|
| Number of adjusting screw revolutions | Approx. 8–10 revolutions |
| Types of needle | 2 types |
| Max. operating pressure | 1MPa |
| Materials of parts in contact with fluids | (A) Al, Brass, NBR, POM, SUS303 (S) SUS304, Viton®, SUS303, fluorocarbon resin |
| End connection | Rc3/8 Rc1/4 |
| Flow rating | See the table below. |

Flow rating (Reference table)

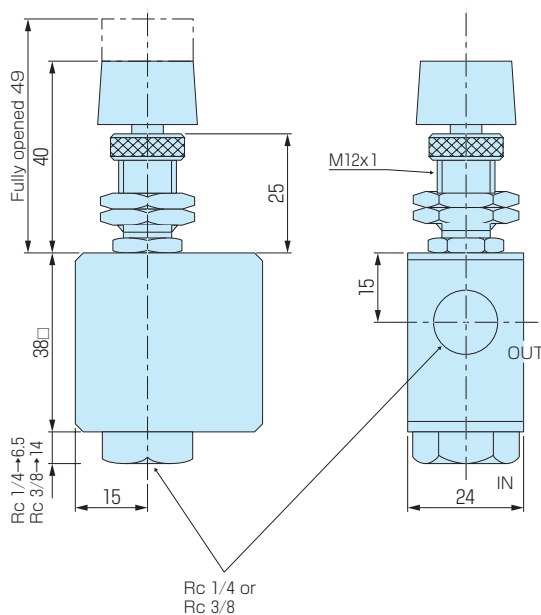
The actual flow may be different from the values shown in the table depending on the operating conditions and instrument errors. Please use these values for reference only.

Outlet side open to Air at 20°C

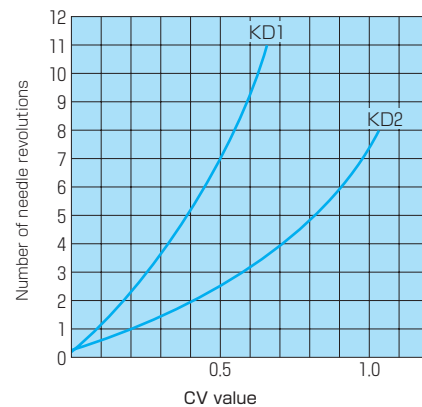
| Needle No. | Max. CV value | Supply pressure (MPa) | | | | |
|------------|---------------|-----------------------|------|-----|-----|-----|
| | | 0.01 | 0.05 | 0.1 | 0.2 | 0.3 |
| KD1 | 0.68 | 70 | 215 | 295 | 440 | — |
| KD2 | 1.0 | 85 | 280 | 400 | — | — |

Unit: L/MIN

Dimensions



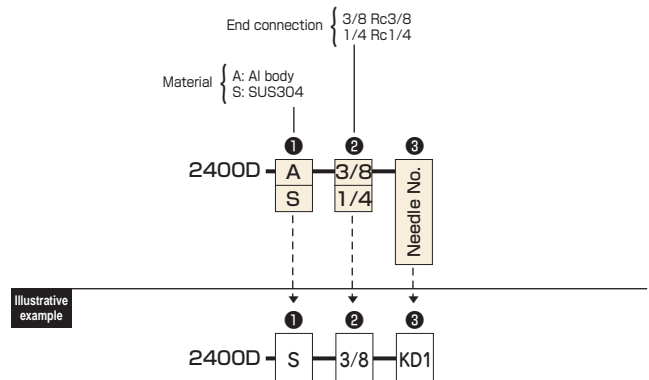
CV value



Purchasing

- Refer to Model 2400 on page 106 for control of small flow.
- If you find it difficult to select a needle number, advise us of the name of the fluid, pressure, and flow, and we will select an appropriate valve.

Ordering



* Refer to "Ordering" and "Illustrative Example" when placing an order or requesting a quotation. Fill in the blanks in the "Order/Quotation Request Card" at the end of the catalog, and send the card by fax.